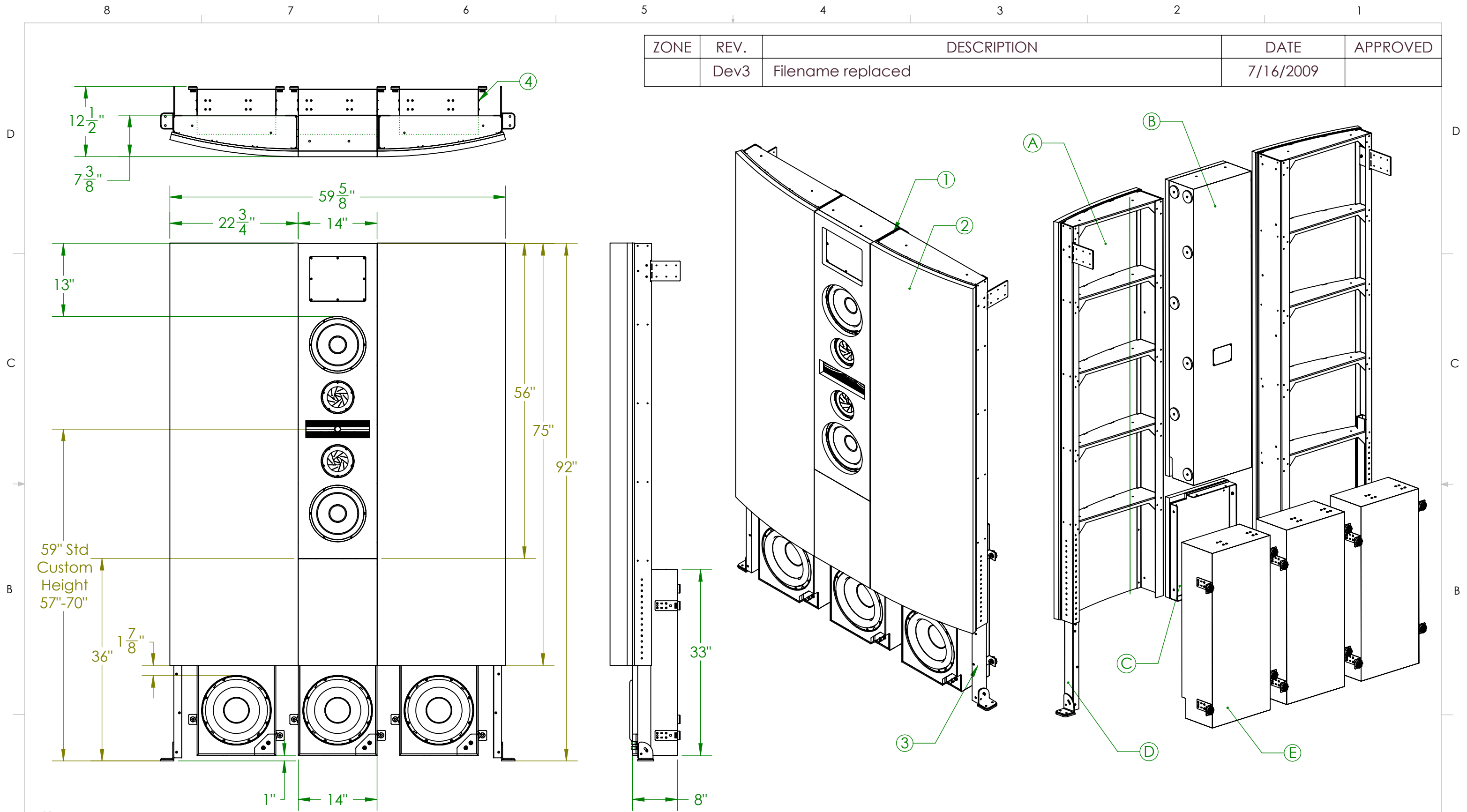


ZONE	REV.	DESCRIPTION	DATE	APPROVED
	Dev3	Filename replaced	7/16/2009	



Notes:

- A. Right and Left Baffle Panel
 - B. CinemaPlus Platinum LCR
 - C. Filler plug
 - D. Adjustable height foot assembly
 - E. CinemaPlus Silver Sub
1. Connection of Baffle Panel and LCR to be dampened and isolated
 2. Baffle Panel to be covered with Linacoustic insulation, Baffle Panel will be constructed to be acoustically inert
 3. Adjustable feet will provide up to 13" of adjustment
 4. Subs 'nest' under LCR and inside panel but are mounted to the front wall

TRIAD
 TRIAD SPEAKERS, INC.
 15835 NE CAMERON BLVD PORTLAND, OR 97230
 WWW.TRIAD SPEAKERS.COM

TEL: 503.517.2600
 FAX: 503.517.2660
 1.800.666.6316

TITLE:
CPPLLCRBWDEV3 THEATER ASSEMBLY

PROPRIETARY AND CONFIDENTIAL: THE INFORMATION CONTAINED IN THIS DRAWING IS THE SOLE PROPERTY OF TRIAD SPEAKERS, INC. ANY REPRODUCTION IN PART OR AS A WHOLE WITHOUT THE WRITTEN PERMISSION OF TRIAD SPEAKERS, INC. IS STRICTLY PROHIBITED.

PART #:
XXX-XXXX

DRAWN BY:
Dveatch

UNLESS OTHERWISE SPECIFIED:
 ALL DIMENSIONS ARE IN INCHES
 TOLERANCES:
 FRACTIONAL: ±1/16"
 0.X: ±.05"
 0.XX: ±.01"
 0.XXX: ±.005"

ANGULAR:
 MACH: ±0.5°
 BEND: ±1°

DO NOT SCALE DRAWING

SCALE:
1:16

SHEET SIZE:
B

REV:
Dev3

SHEET:
1 of 1

FILE NAME: T:\Platinum\LCR\CinemaPlus Baffle Wall\DEV3\CPPLLCRBWDEV3 THEATER ASSEMBLY