

Triad InRoom Platinum Center

In designing a mate for the exceptional InRoom Platinum LCR, Triad has succeeded in creating the ultimate center channel speaker.

The InRoom Platinum Center uses the same premium drivers featured in the InRoom Platinum LCR to ensure accurate pans across the front soundstage as well as incredible headroom and output. Costly proprietary drivers from Scan-Speak and Seas were chosen for unparalleled accuracy, output, and reliability, even in the most demanding theaters.

Because of the vertically aligned mid/tweeter/mid array, three InRoom Platinum Centers may be used across the front where space dictates.

The extremely solid, acoustically inert enclosure uses revolutionary internal technologies that disperse and absorb the distortion-causing back waves that normally reflect out through the cones. Where the best sound for movies is crucial, Platinum is the only choice.

TRIAD

Unique**Solutions**Triad™

Product Features

Cabinet

Width 33-3/4" (85.7 cm)
Height with feet 19-1/2" (49.5 cm)
Depth with grill 13-1/2" (34.3 cm)

Miscellaneous

Shipping weight 147 lbs. (66.6 kg)
Actual product weight 139 lbs. (63 kg)

Drive Units

(1) 1" Proprietary ultra high efficiency fabric dome tweeter mounted into a Dispersion Control Lens™

(2) 5-1/4" Proprietary newly designed Scan-Speak midranges

(2) 10" Proprietary high efficiency Scan-Speak woofers

Power Handling

Maximum power rating 500 watts.

Impedance

Nominal impedance 4 ohms.
3.2 ohms minimum.

Sensitivity

94.5dB (2.83v, 1m)

Anechoic Frequency Response

60 Hz - 20 kHz (+/-3 dB)

Enclosure

Proprietary bracing and dampening materials.

Adjustable focus tweeter housing.

Adjustable foot mounting mechanism, allows the speaker to be properly angled towards the listeners ears

Finishes

Available in over 20 real wood veneers, custom paint & matched finishes available.

Triad Speakers Incorporated

15835 NE Cameron Blvd.
Portland, Oregon 97230

503.256.2600 Voice

503.256.5966 Fax

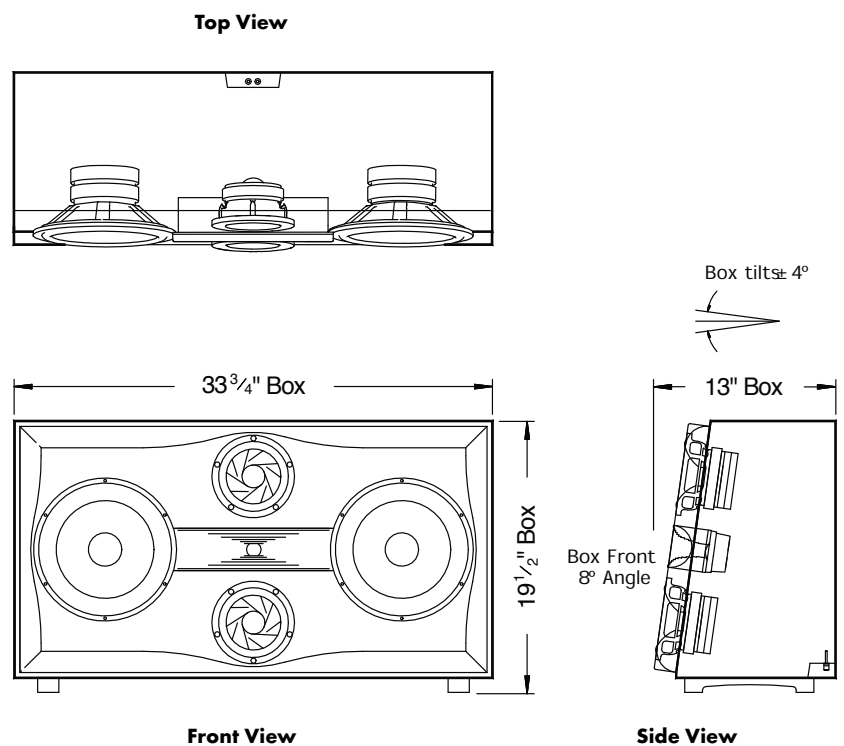
www.TriadSpeakers.com

Unique Solutions...Custom Made Daily™

InRoom Platinum LCR

Product Dimensional Data

Bracing omitted for drawing clarity



Try these additional **Platinum LCR** Solutions



InRoom LCR



InRoom Center

TRIAD

Specifications are subject to change. For the most up to date information visit us online at www.triadspeakers.com