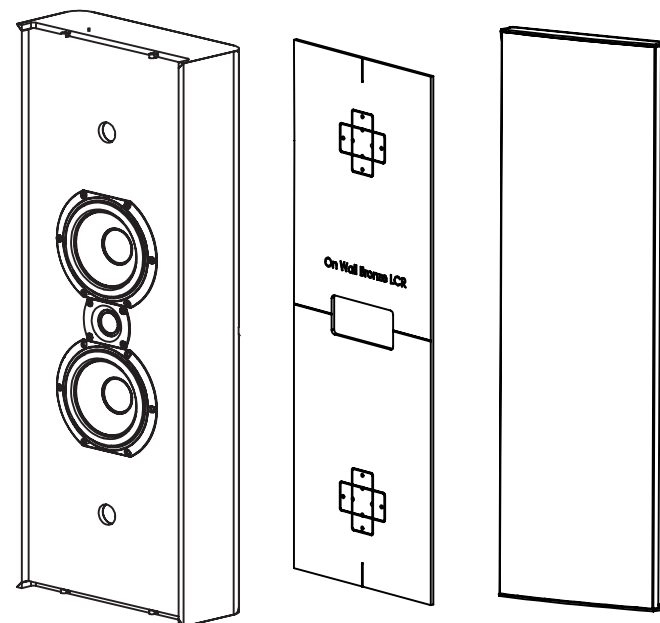


Unpacking / Contents



Speaker
(Model Varies)

Template

Grill



EasyMount Bracket and Hardware
(anchors, screws, mounting posts, and knobs).

Specifications

Applicable Models
OnWall Bronze LCR

Dimensions
10x28x4in; 25.4x71.2x10.2cm

Frequency Response
80 Hz - 20 kHz

Sensitivity
90 dB

Rec Amp Pwr
50-200 Watts per ch

Rec Sub Xover
80 Hz

Impedance
4 / 3.8 ohms

Additional Info

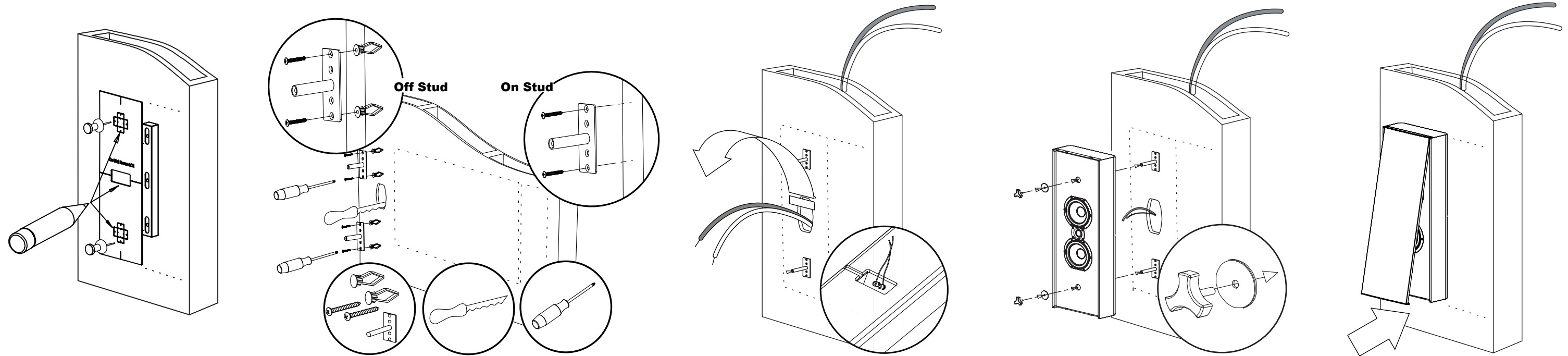
Triad's EasyMount wall bracket, included with each speaker, is quick & easy to install, adds no depth, and allows up to .5 inch (12.7mm) horizontal and vertical adjustments for leveling or aligning.

North American Limited Warranty

Triad speakers are warranted to be free from defects in manufacturing and workmanship (10) years when operated under normal conditions. Should any such defects occur within the warranty period call Triad Service at 1-877-264-6315 for an RA (Return Authorization) number. Return the product in intact factory packaging with RA number clearly visible on outside of box and proof & date of purchase inside to:

Triad Speakers Inc., 15835 NE Cameron Blvd., Portland, Oregon 97230 USA

Triad is not responsible for any shipping damage coming in to Triad. If you do not have intact factory packaging, contact your dealer or Triad Service for purchase. At our discretion we will repair or replace the product and return it free of charge. International customers should contact their dealer for service. This limited warranty is extended only to Triad products and is expressly in lieu of all other warranties expressed or implied.



Vertical Installation

A Level & pin template to wall. Outline wire hole and screw holes for 2 mounting posts. Always orient posts vertically.

B Cut wire hole; install anchors if there are no studs; screw 2 mounting posts to wall. Mounting posts should always be mounted vertically (portrait).

C Pull speaker wire through wire hole; attach to binding posts or push connectors.

D Mount speaker on posts; loosely tighten knobs. Level or align +/- 1/4" (6.35mm), then tighten.

E Attach grill at one end; seat edges along both sides; attach other end. Snug all around.

Horizontal Installation

