



Triad Speakers Warranty Information

For your convenience, we have included space below for you to record your speaker model and serial number, purchase date, dealer's name, and phone number. You will need the following information in the event your speaker needs servicing. Please keep this manual and the sales receipt in a safe place.

Model: _____ Serial #: _____

Model: _____ Serial #: _____

Dealer Name: _____

Purchase Date: _____ Phone #: _____

Triad North American Warranty

Triad products are warranted to be free from defects in materials and workmanship for the period stated below when operated under normal use. Speaker products using LED lights are designed for indoor use only:

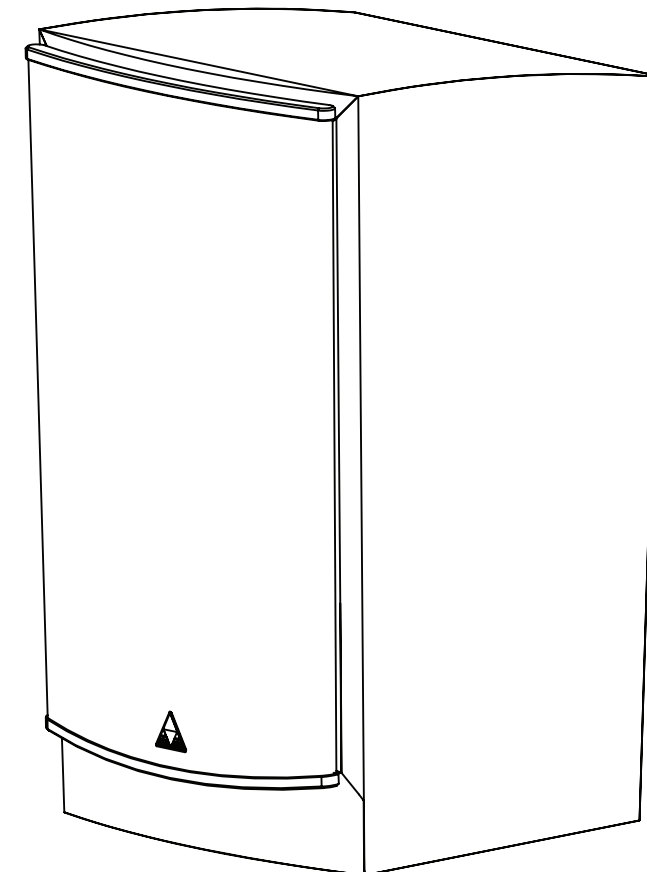
Electronics (Inc. LEDs): Warranty three (3) years • Loudspeaker: Warranty ten (10) years

The limited warranty period begins on the date of purchase. This limited warranty is extended only to Triad products and is expressly in lieu of other warranties expressed or implied. The warranty is extended only to the original purchaser and is not transferable. Warranty covers only products sold in the United States by authorized Triad Dealers.

Should any defect in materials or workmanship occur within the limited warranty period, please contact Triad Service at 1-877-264-6315 to obtain a Return Authorization (RA) number. The product must be returned to Triad Speakers prepaid, with proof and date of purchase and in original packaging. If you do not have original packaging, you may purchase packaging from your dealer or Triad Service. The RA number must be clearly visible on the outside of the box.

Transit damage is not covered by this limited warranty.

TRIAD
InRoom Silver/Gold Omni SE



Triad Speakers, Incorporated
15835 NE Cameron Blvd., Portland, Oregon 97230
www.triadspeakers.com
+1 503.256.2600

Made In The USA

Triad Speakers, Incorporated • Portland, Oregon
www.triadspeakers.com

Thank You...

For purchasing Triad's line of high performance speakers.

Each loudspeaker is created with the utmost attention to quality and designed to be architecturally flexible with your room decor. The SE model performs identically to the Omni SE IS, the IS designator means it has a Integrated Stand.

All Triad speakers are engineered and hand-crafted with pride in the United States of America.

Please take the time to review this information. We have developed this manual so you would be familiar with all the performance features, and could better appreciate the superb engineering that has been built into your Triad loudspeakers.

At Triad we build only fully engineered sealed loudspeakers. We believe you will enjoy the rich natural music in the rooms you have selected for our speakers.

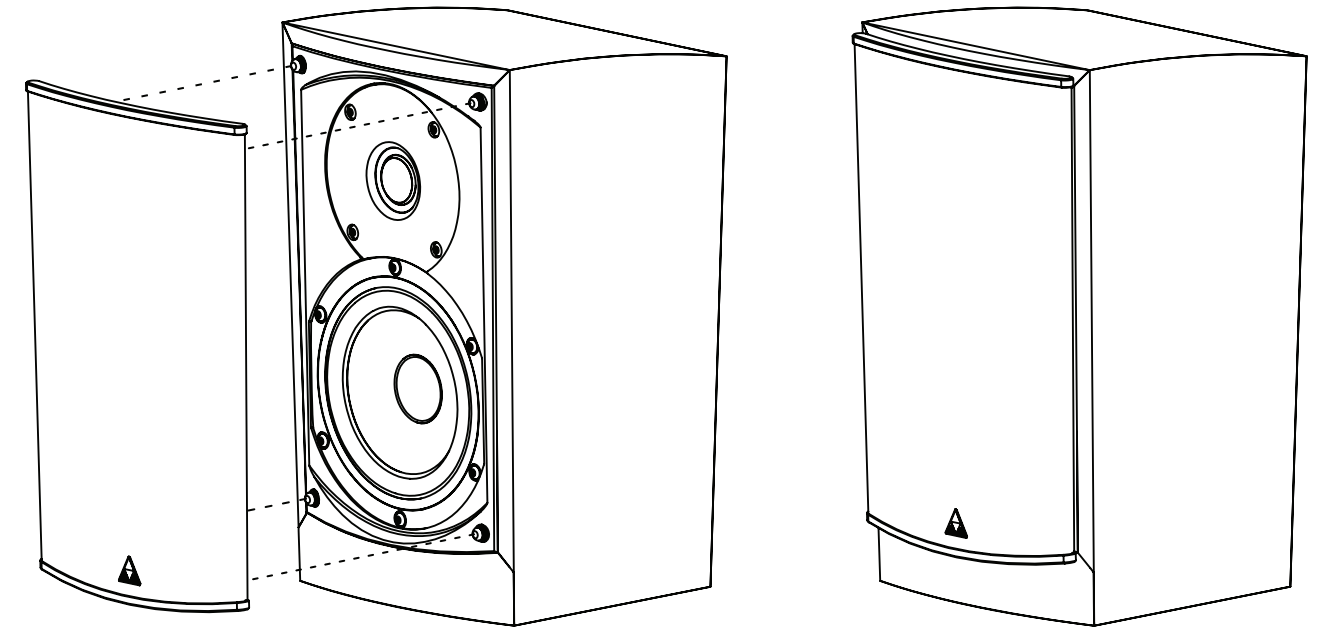
Thanks again and happy listening.

Larry Pexton
President

Setup: Grill Installation

- 1 Attach grill by aligning the four grill posts to the baffle sockets and press to fit at each corner.

Speaker Care:
Use only clean, soft towels and mild soap & water to wipe down speaker cabinet.



Setup: Speaker Wire Installation

- 2 Attach your speaker wires to the Omni SE IS speaker 5-way, gold plated binding posts.

Remember the *Red* marked post is positive and the *Black* is negative.

