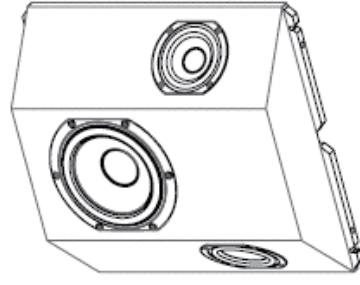
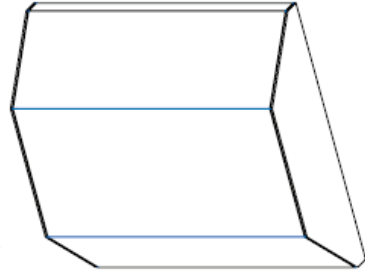




Unpacking / Contents



Surround Speaker
(Model Varies)



Surround Grill
(Model Varies)

Hardware Package

(anchors & screws)



(4) #8 x 1-1/2"
Pan Head
Phillips Screws



(4) #8-10-12
Ribbed Plastic
Wall Anchors.

Specifications

Applicable Models	Dimensions Inches / cm	Frequency Response +/-3dB	Sensitivity 2.83v, 1m	Rec Amp Pwr Per Channel	Impedance Nominal	Weight lbs/kg
OnWall Bronze Surround	12.6x13.25x4; 32x33.7x9	100 Hz - 16 kHz	84 dB	25-125 Watts	4 ohms	11 / 4.9
OnWall Silver Surround	13.5x14.25x4; 34.3x36.2x9	80 Hz - 20 kHz	85 dB	50-150 Watts	4 ohms	15 / 7
OnWall Gold Surround	13.5x26x4; 34.3x66x9	70 Hz - 20 kHz	87 dB	50-250 Watts	4 ohms	22 / 10

Additional Info

Triad dipole Surround Speakers ship in left & right pairs with opposite polarity. Arrow on top of each speaker should point toward the TV or screen. See Triad Surround Speaker Placement & Polarity below for details.

North American Limited Warranty

Triad speakers are warranted to be free from defects in manufacturing and workmanship (10) years when operated under normal conditions. Should any such defects occur within the warranty period call Triad Service at 1-503-256-2600 for an RA (Return Authorization) number. Return the product in intact factory packaging with RA number clearly visible on outside of box and proof & date of purchase inside to:

Triad Speakers Inc., 15835 NE Cameron Blvd., Portland, Oregon 97230 USA

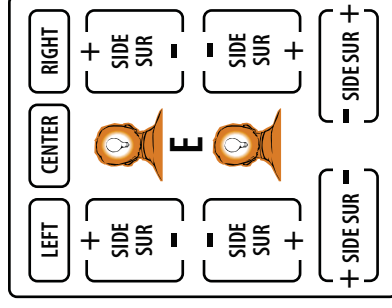
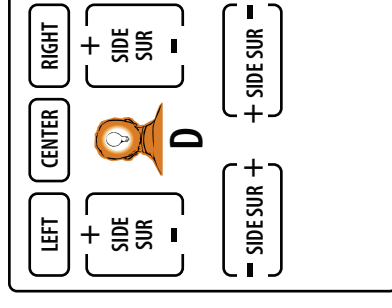
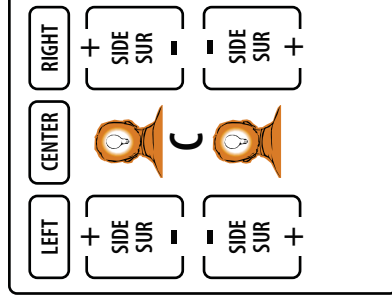
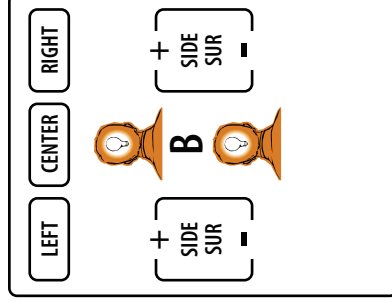
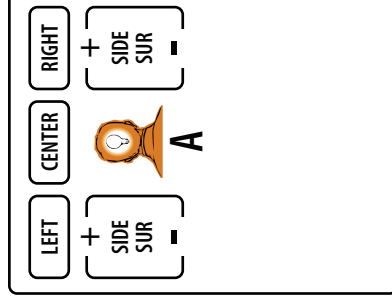
Triad is not responsible for any shipping damage coming in to Triad. If you do not have intact factory packaging, contact your dealer or Triad Service for purchase. At our discretion we will repair or replace the product and return it free of charge. International customers should contact their dealer for service. This limited warranty is extended only to Triad products and is expressly in lieu of all other warranties expressed or implied.

Triad Surround Speaker Placement & Polarity:

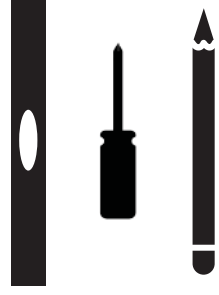
Triad Surround Speakers are dipoles (center null with left & right sides out of phase) as standard with bipoles as an option.

Side Channels: A. Place at 90-110 degrees off axis of primary listener with + polarity toward screen or TV. B. If 1 pair of sides is meant to cover 2 rows, place them between rows with + polarity toward screen or optimize for 1 row. C. If 2 pairs are used as sides, for front pair follow rule A.; for back pair reverse left & rights with - polarity toward screen.

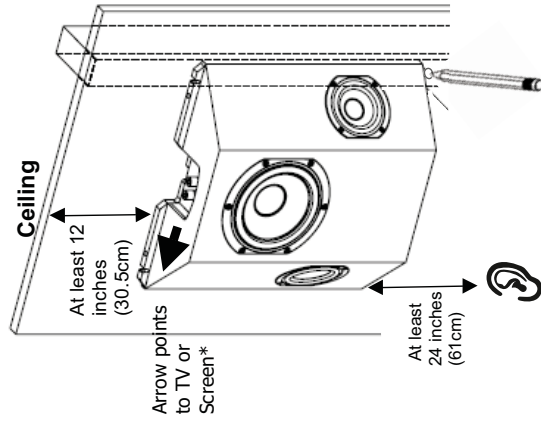
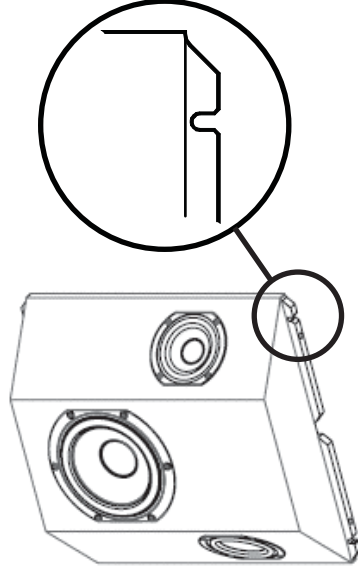
Back Channels: D. With 1 pair of side speakers, place back pair with + polarity and arrow toward room center. E. With 2 pairs of side speakers, place back pair with + polarity and arrow toward corresponding side wall.



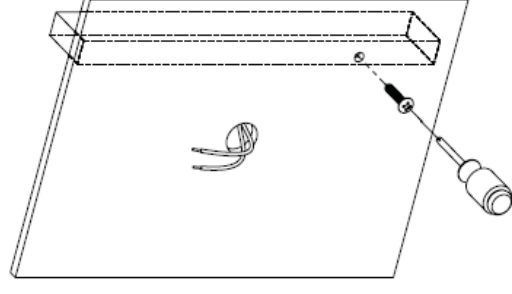
Tools:



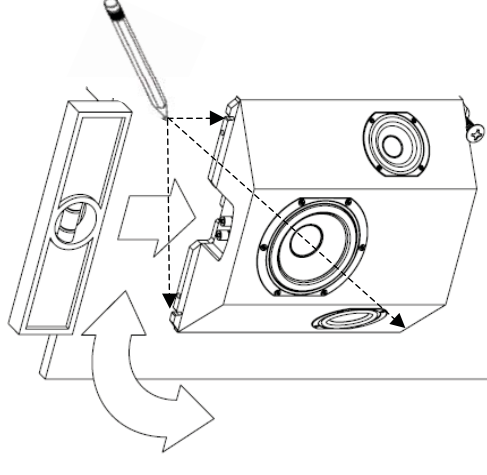
Screw Notch Location



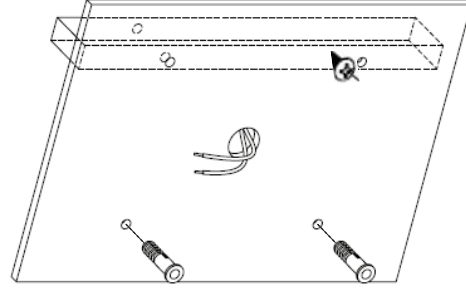
A Position speaker on the wall with arrow facing the TV or Screen*. Proper orientation has woofer on top. Speaker bottom should be at least 24 inches above seated ear height; speaker top at least 12 inches below ceiling. With a pencil, mark 1 of the 2 bottom screw notches on the wall. If possible, position at least one bottom screw notch directly over a stud.



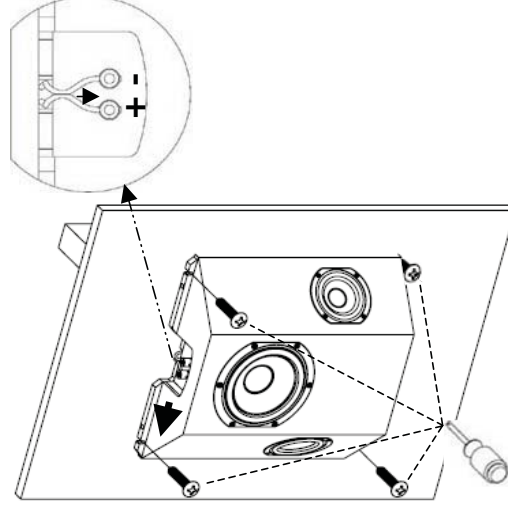
B Remove speaker and screw one #8 x 1.5" screw into marked location. Use anchor if there is no stud behind the mark. Leave approx 1/2 inch (1.27 cm) of threads protruding from wall. Pull enough speaker wire out of the wall to reach speaker.



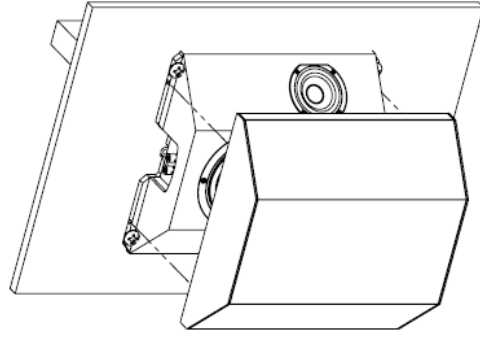
C Set speaker's screw notch on the screw while supporting the other side. Level or align speaker. Mark the remaining three holes with pencil.



D Install any remaining anchors that are needed.



E Route speaker cables up raceway on speaker back. Connect speaker cables to binding posts with bare/ tinned wires, pins or spades preserving polarity (+/-, Red/Black) with amp. Partially fix the remaining bottom screw, again leaving approx 1/2 inch (1.27cm) protruding from wall. Support speaker on the two screws protruding through the bottom screw notches. Fix the two upper screws through the upper screw notches. Tighten all 4 screws.



F Confirm speaker is attached to the wall securely. Press fit the grill to the face of the speaker.

* For detailed Surround placement instructions, see Triad Surround Speaker Placement & Polarity on Page 1 (on the opposite side of this page).