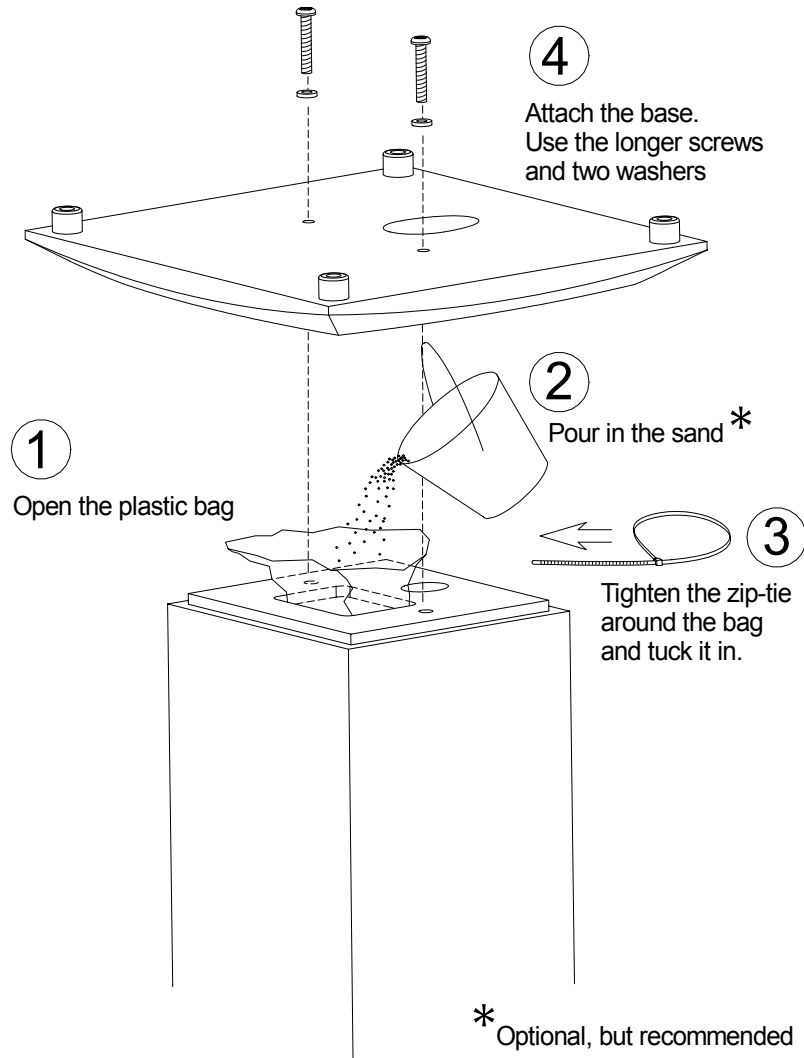


InRoom Bronze LCR Stand Assembly Instructions

To add stability to the stand, we recommend you fill the base with dry sand. It holds about 20 pounds, or about 5 quarts (liters). For even more stability use lead shot, usually available at sporting goods stores.

Assemble the Stand



Attach the Speaker

